



250 Staunton Turnpike, Parkersburg, WV 26104

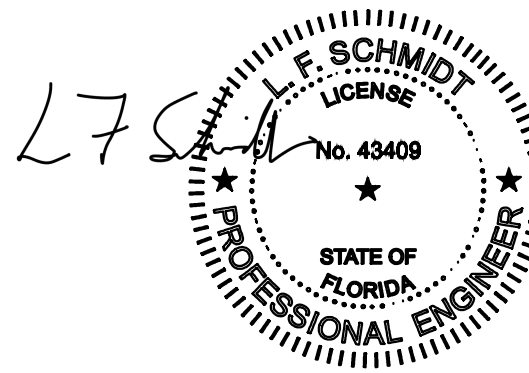
OPAQUE FIBERGLASS DOORS DOUBLES w/ or w/o SIDELITES IN SWING / OUT SWING "IMPACT"

GENERAL NOTES

- This product has been evaluated and is in compliance with the 8th Edition (2023) Florida Building Code (FBC) structural requirements excluding the "High Velocity Hurricane Zone" (HVHZ).
- Product anchors shall be as listed and spaced as shown on details. Anchor embedment to base material shall be beyond wall dressing or stucco.
- When used in areas requiring wind borne debris protection this product complies with FBC Sections 1609.1.2 & R301.2.1.2 and does not require an impact resistant covering. This product meets missile level "D" and includes Wind Zone 4 as defined in ASTM E1996 and FBC Sections 1609.1.2.2 & R301.2.1.2.1.
- For 2x stud framing construction, anchoring of these units shall be the same as that shown for 2x buck masonry construction.
- Site conditions that deviate from the details of this drawing require further engineering analysis by a licensed engineer or registered architect.

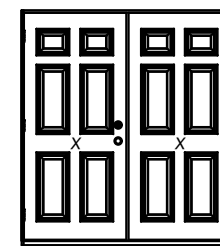
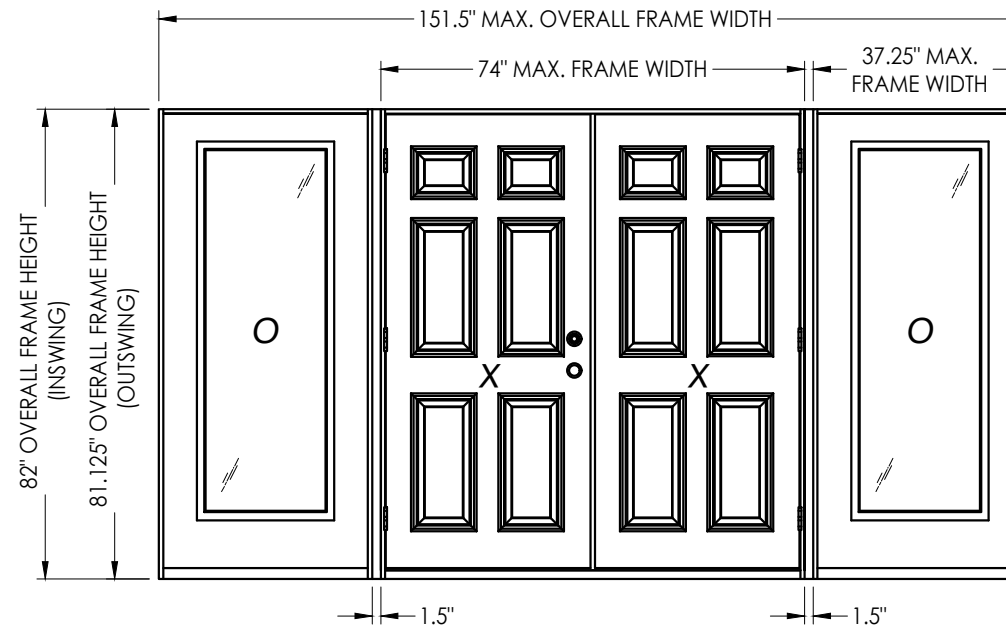
TABLE OF CONTENTS

SHEET#	DESCRIPTION
1	Typical elevations, design pressures & general notes
2	Door panel details
3	Sidelite panel details
4	Elevations
5	Horizontal & Vertical Cross Sections (2X Buck)
6	Horizontal & Vertical Cross Sections (1X Buck)
7	Horizontal & Vertical Cross Sections (Direct to Masonry)
8	Vertical Cross Sections (Thresholds)
9	Horizontal & Vertical Cross Sections (Direct to Masonry)
10	Buck anchoring
11	Frame anchoring & hardware details
12	Bill of materials and components

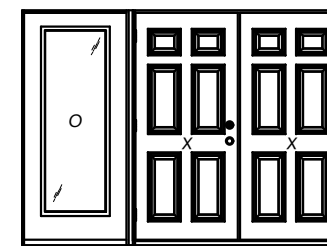


This item has been digitally signed and sealed by L. F. Schmidt, P.E. on the date adjacent to the seal. Printed copies of this document are not considered signed and sealed and the signature must be verified on any electronic copies.

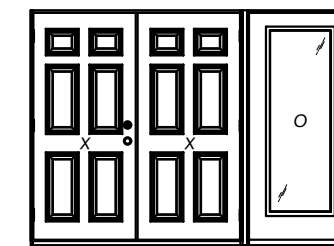
THIS PRODUCT APPROVAL IS VALID ONLY FOR THE STATE OF FLORIDA



XX



OXX



XXO

CONFIGURATION	MAX. FRAME DIMENSION	DESIGN PRESSURE (PSF) INSWING		DESIGN PRESSURE (PSF) OUTSWING	
		POSITIVE	NEGATIVE	POSITIVE	NEGATIVE
XX	74" x 82"	+50.0	-50.0	+50.0	-50.0
OXX, XXO	112.75" x 82"	+50.0	-50.0	+50.0	-50.0
OXXO	151.5" x 82"	+50.0	-50.0	+50.0	-50.0

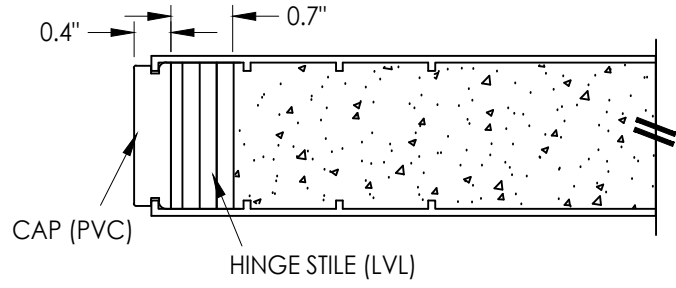
Documents Prepared By:
Lyndon F. Schmidt
P.E. No. 43409

RW BUILDING CONSULTANTS, INC.
P.O. Box 230, Valrico, FL 33595
Phone No.: 813.659.9197
FBPE Registry No. 9813

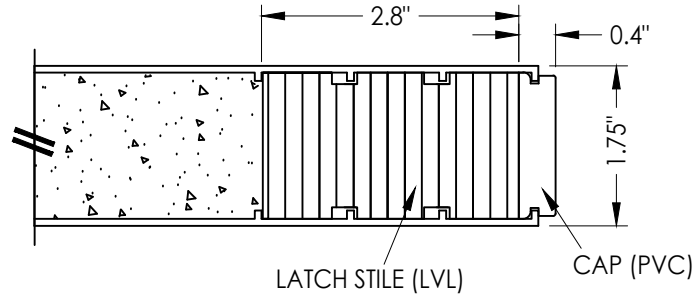
PRODUCT: WINCORE FIBERGLASS ENTRY DOOR "Impact"
PART OR ASSEMBLY: TYPICAL ELEVATION, DESIGN PRESSURES & GENERAL NOTES

NO.	DATE	REVISIONS
3	7/06/23	UPDATE TO 8TH ED. (2023) FBC
2	10/14/20	UPDATE TO 7TH ED. (2020) FBC
1	7/14/20	REVISE ULT HURRICANE ASTRAGAL

DATE: 8/05/19
SCALE: N.T.S.
DWG. BY: RW
CHK. BY: LFS
DRAWING NO.: FL-30037.2
SHEET 1 of 12

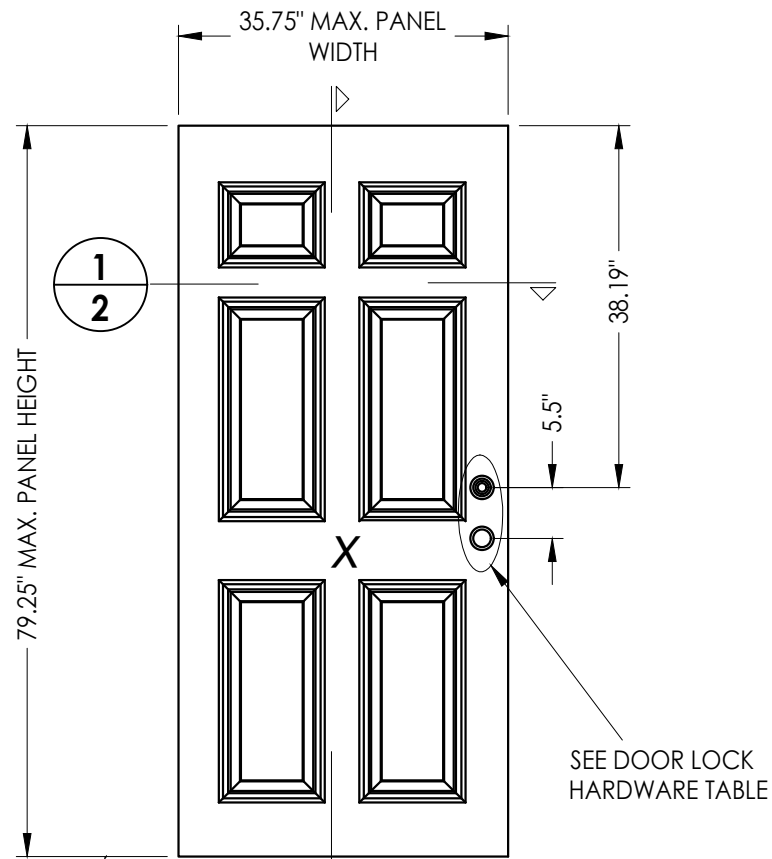


EXTERIOR



INTERIOR

1
2 HORIZONTAL CROSS SECTION

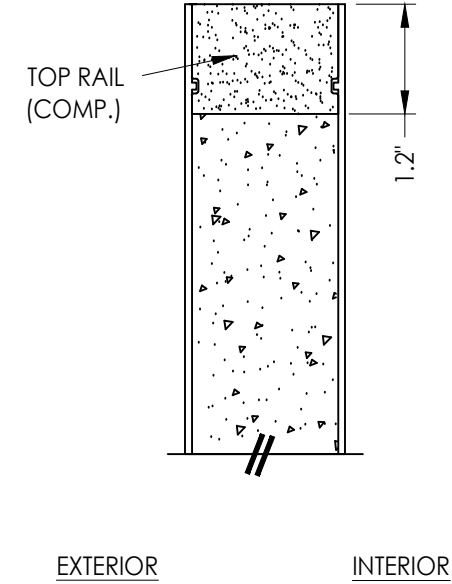


40 PLASTPRO DOOR PANEL

SEE DOOR LOCK
HARDWARE TABLE

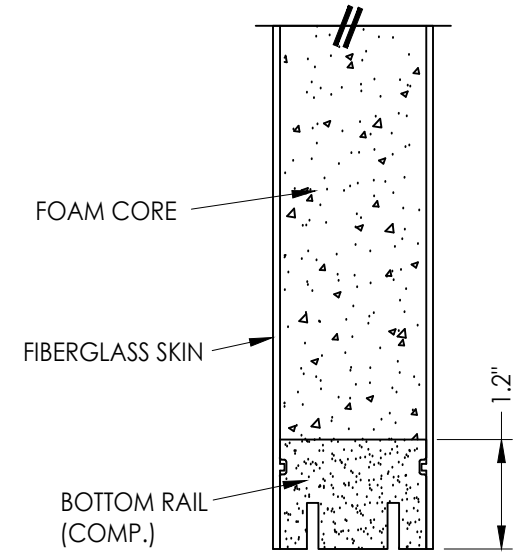
DOOR LOCK HARDWARE TABLE	
MANUFACTURER	MODEL
ENDURA	TRILENNIUM 3000 SERIES MULTI-POINT LOCK (3 pt.)
SCHLAGE	HANDLE SET: "F" SERIES (F60) DEADBOLT: "B" SERIES (B60/62)

FIBERGLASS SKIN: 0.075" MIN. THK.
FOAM CORE: POLYURETHANE - 1.9 PCF MIN.)



EXTERIOR

INTERIOR



2
2 VERTICAL CROSS SECTION

Documents Prepared By:
Lyndon F. Schmidt
P.E. No. 43409

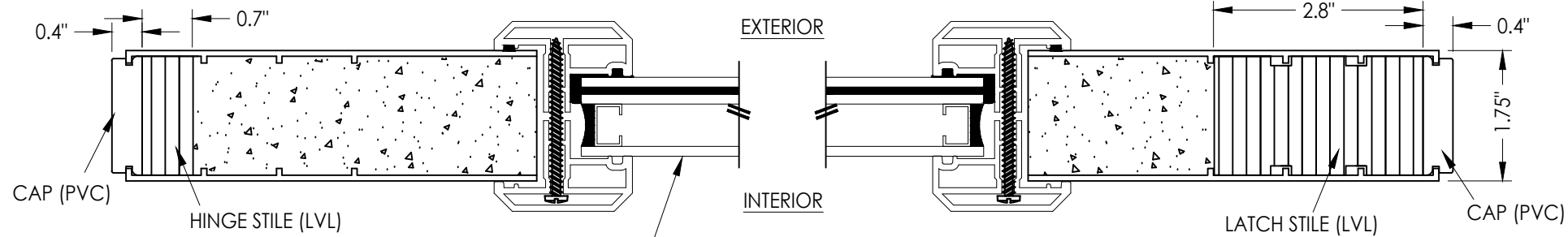
RW BUILDING CONSULTANTS, INC.
P.O. Box 230, Valrico, FL 33595
Phone No.: 813.659.9197
FBPE Registry No. 9813

PRODUCT: WINCORE
FIBERGLASS ENTRY DOOR
"Impact"
PART OR ASSEMBLY:
DOOR & SIDELITE
PANEL DETAILS

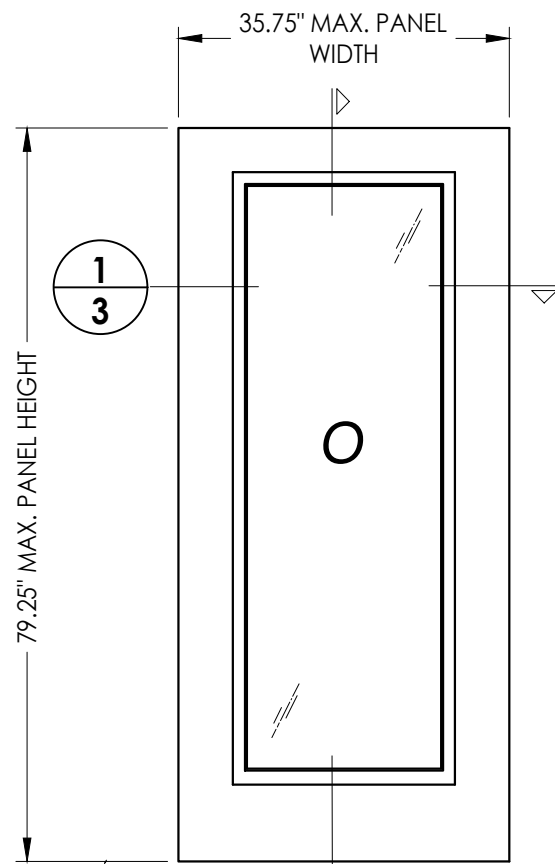
NO.	DATE	REVISIONS
3	7/06/23	UPDATE TO 8TH ED. (2023) FBC LFS
2	10/14/20	UPDATE TO 7TH ED. (2020) FBC LFS
1	7/14/20	REVISE ULT HURRICANE ASTRAGAL LFS
		BY

DATE: 8/05/19
SCALE: N.T.S.
DWG. BY: RW
CHK. BY: LFS
DRAWING NO.:
FL-30037.2
SHEET 2 OF 12

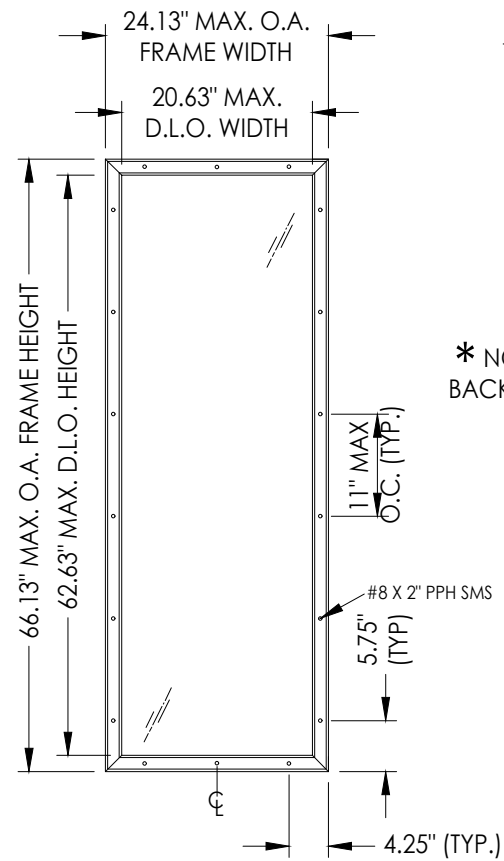
Z:\2023 FBC Drawings\Wincore Window Company\FL-30037 R4\FL-30037.2.dwg



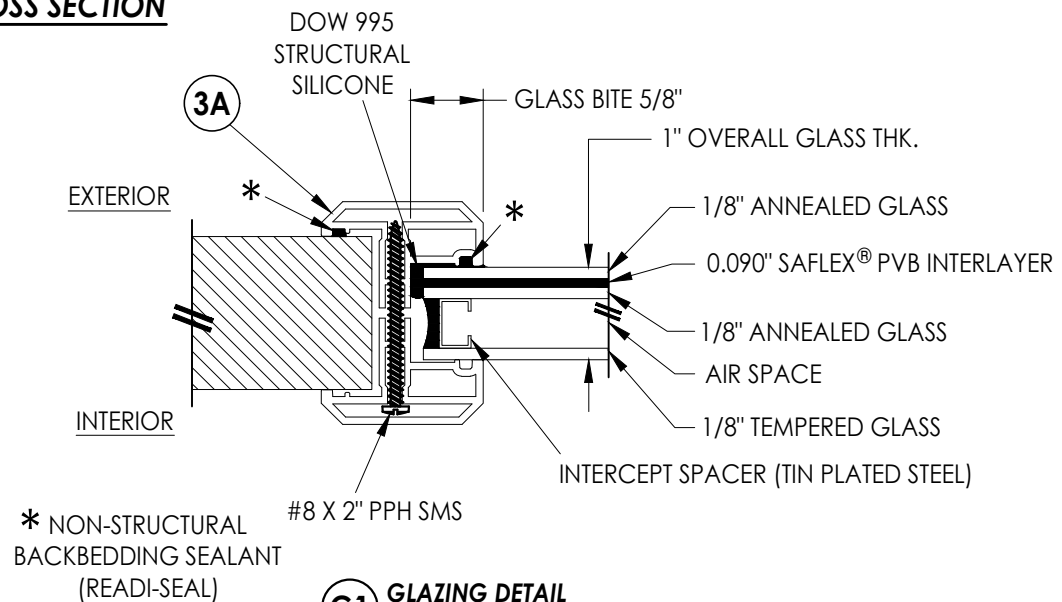
1
3 **HORIZONTAL CROSS SECTION**



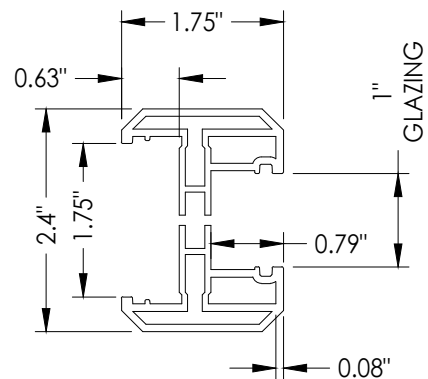
50 **PLASTPRO SIDELITE PANEL**



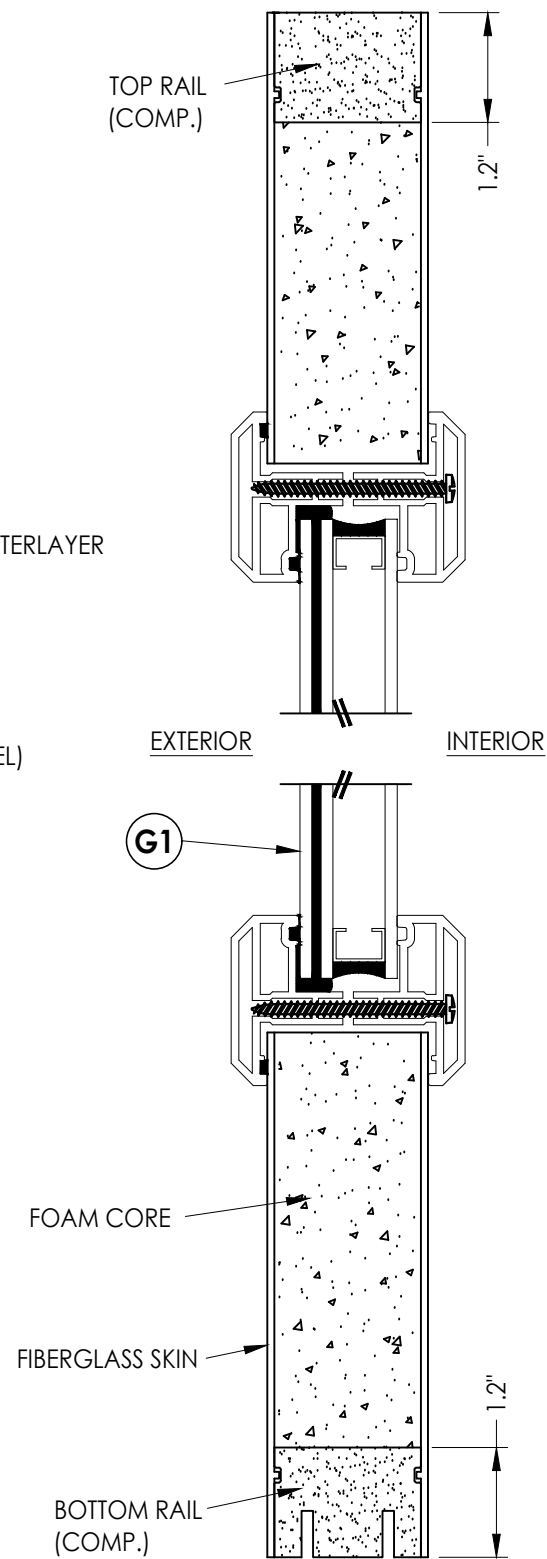
ODL LITE FRAME DETAIL "FLAT FRAME" PROFILE



G1 **GLAZING DETAIL**
ODL "FLAT FRAME"



3A **ODL LITE FRAME "FLAT FRAME" PROFILE**
(6063-T5 ALUM)



2
3 **VERTICAL CROSS SECTION**

FIBERGLASS SKIN: 0.075" MIN. THK.
FOAM CORE: POLYURETHANE - 1.9 PCF MIN.)

Documents Prepared By:
Lyndon F. Schmidt
P.E. No. 43409

RW BUILDING CONSULTANTS, INC.
P.O. Box 230, Valrico, FL 33595
Phone No.: 813.659.9197
FBPE Registry No. 9813

PRODUCT: WINCORE FIBERGLASS ENTRY DOOR
Impact

PART OR ASSEMBLY: LITE FRAME GLAZING DETAILS

NO.	DATE	REVISIONS	BY
3	7/06/23	UPDATE TO 8TH ED. (2023) FBC	LFS
2	10/14/20	UPDATE TO 7TH ED. (2020) FBC	LFS
1	7/14/20	REVISE ULT HURRICANE ASTRAGAL	LFS

DATE: 8/05/19

SCALE: N.T.S.

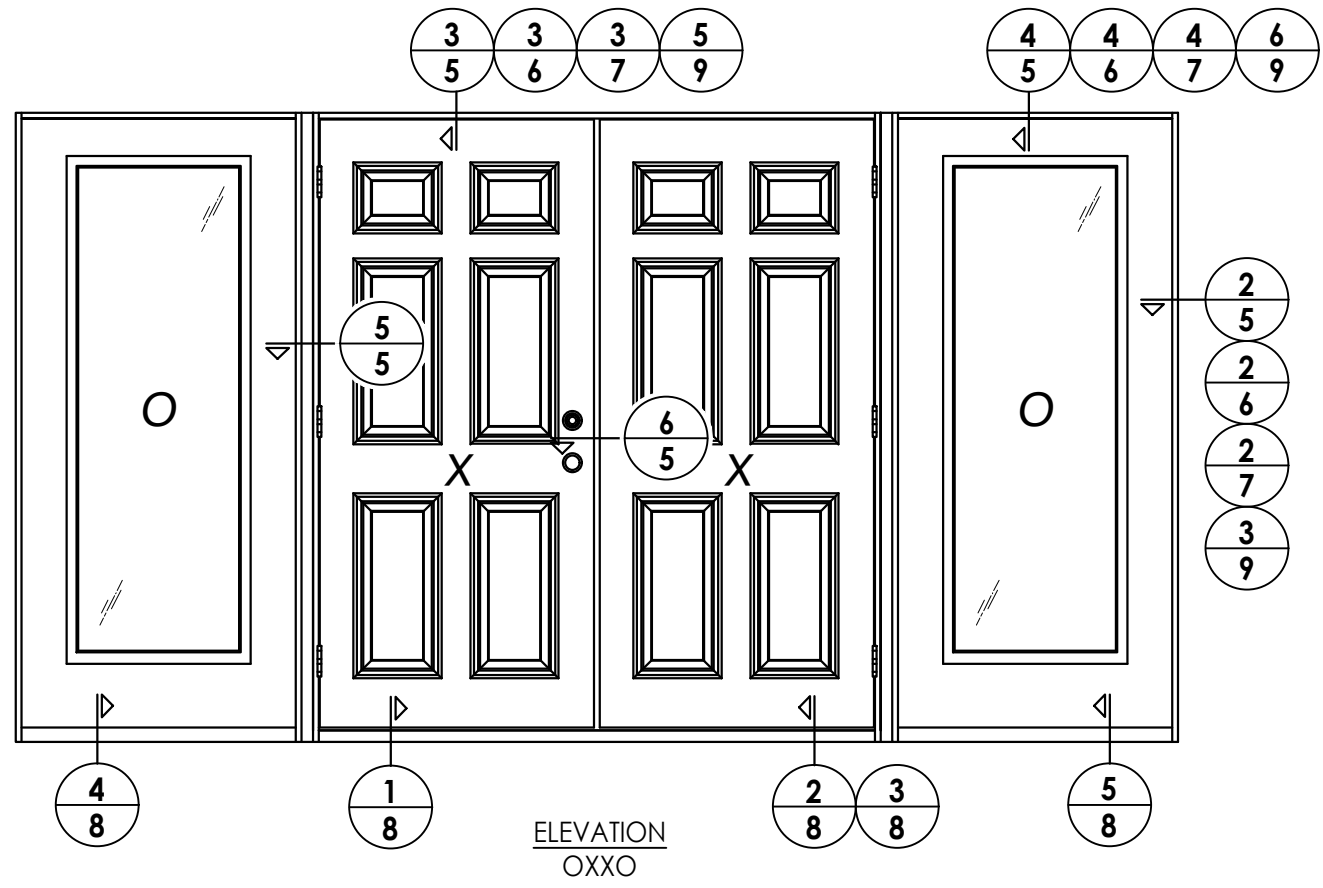
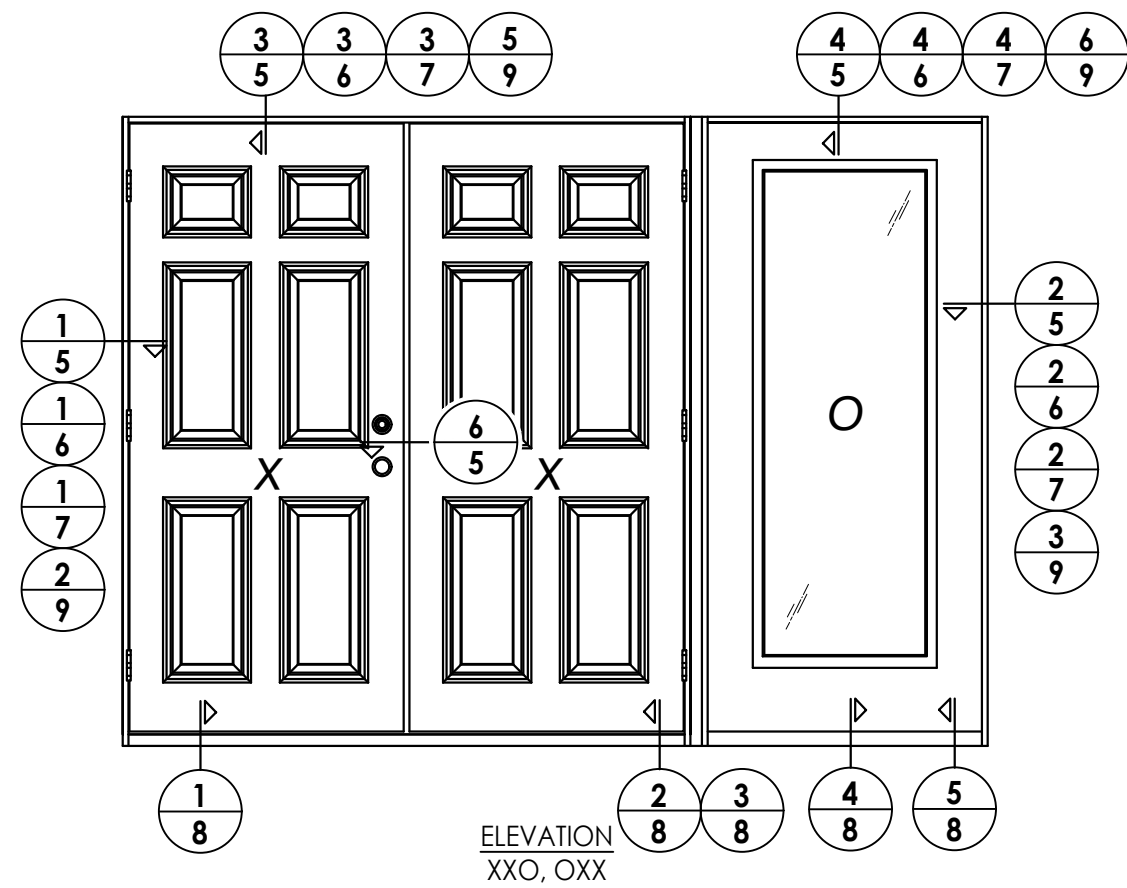
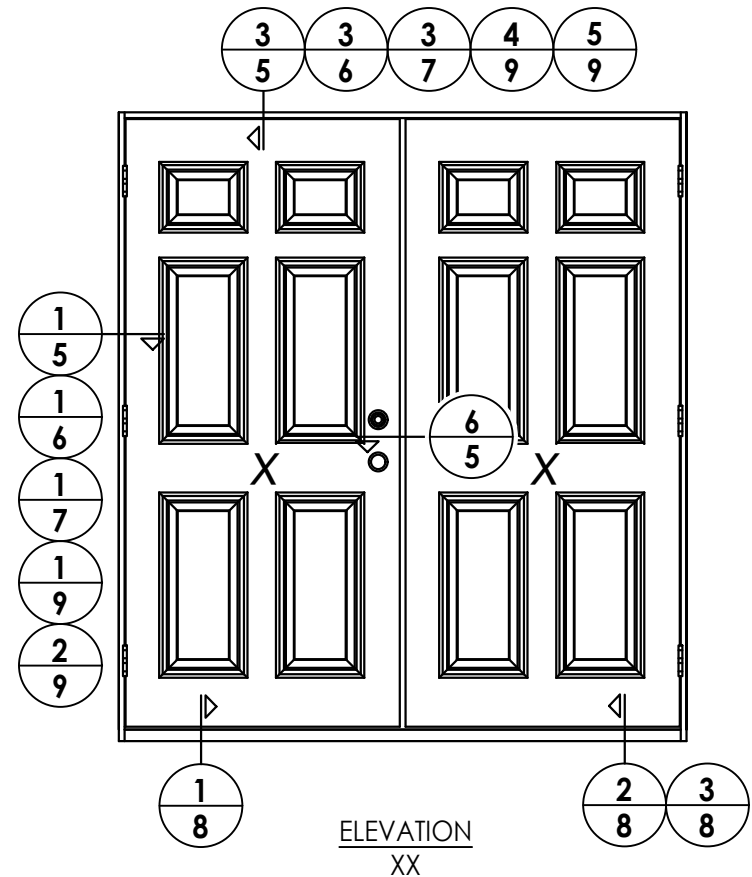
DWG. BY: RW

CHK. BY: LFS

DRAWING NO.:

FL-30037.2

SHEET 3 OF 12



Documents Prepared By:
Lyndon F. Schmidt
P.E. No. 43409

RW BUILDING CONSULTANTS, INC.
P.O. Box 230, Vairico, FL 33595
Phone No.: 813.659.9197
FBPE Registry No. 9813

PRODUCT: WINCORE
FIBERGLASS ENTRY DOOR
Impact

PART OR ASSEMBLY:
ELEVATIONS

NO.	DATE	REVISIONS
3	7/06/23	UPDATE TO 8TH ED. (2023) FBC LFS
2	10/14/20	UPDATE TO 7TH ED. (2020) FBC LFS
1	7/14/20	REVISE ULT HURRICANE ASTRAGAL LFS

DATE: 8/05/19

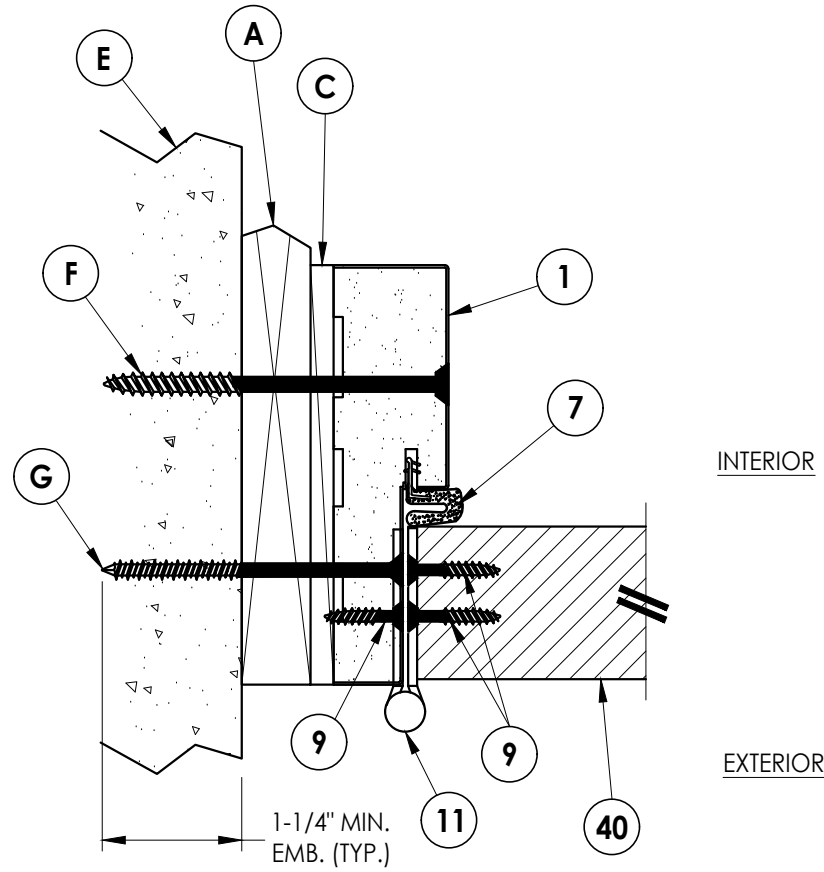
SCALE: N.T.S.

DWG. BY: RW

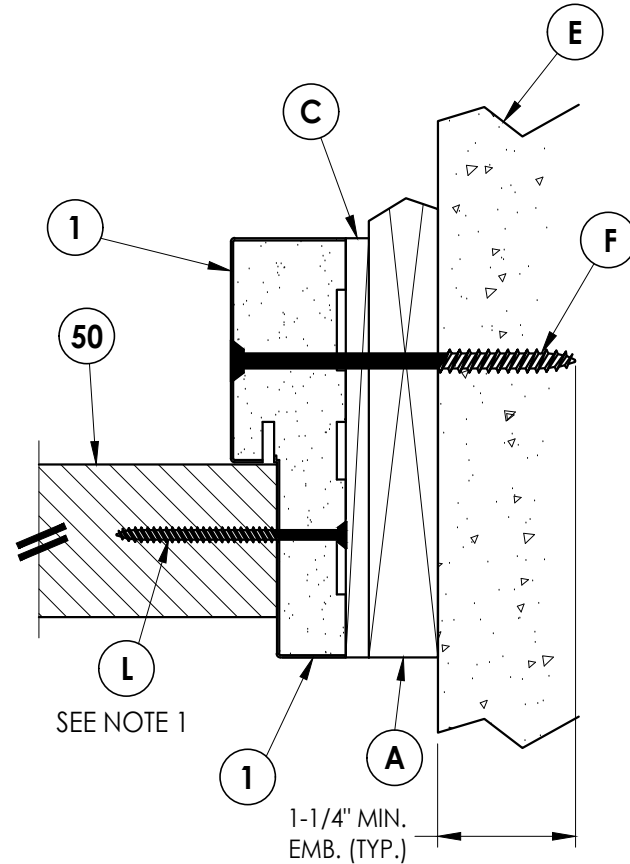
CHK. BY: LFS

DRAWING NO.: FL-30037.2

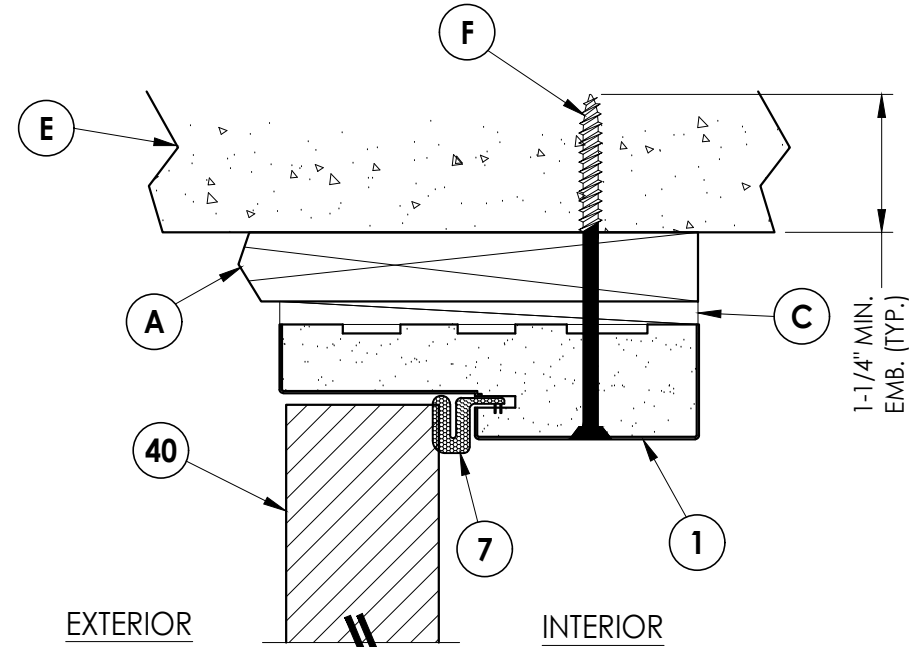
SHEET 4 of 12



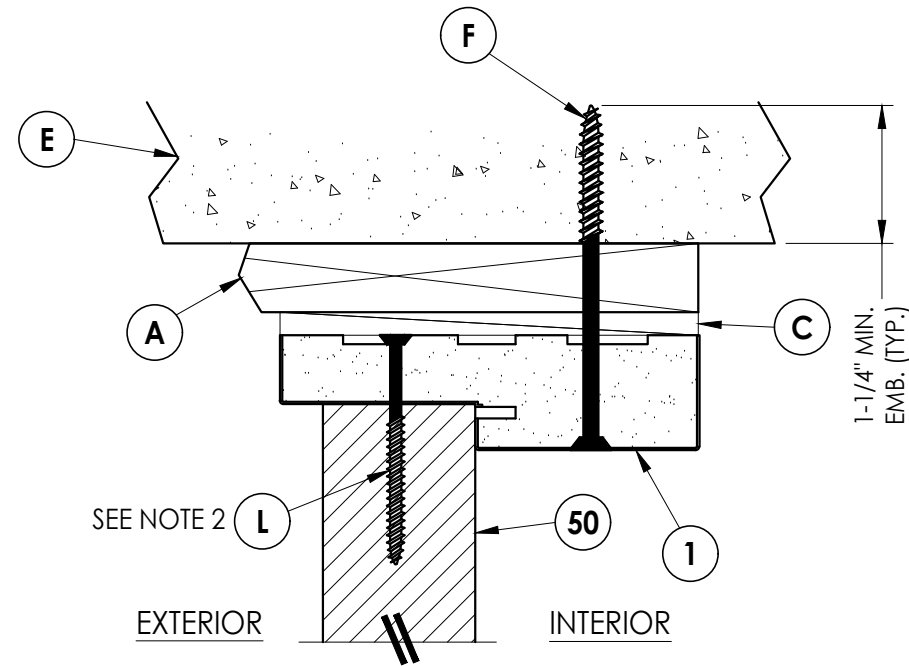
1 **HORIZONTAL CROSS SECTION**
6 Shown w/ 1X sub-buck
 Outswing shown (Inswing similar)



2 **HORIZONTAL CROSS SECTION**
6 Shown w/ 1X sub-buck
 Outswing shown (Inswing similar)



3 **VERTICAL CROSS SECTION**
6 Shown w/ 1X sub-buck
 Outswing shown (Inswing similar)



4 **VERTICAL CROSS SECTION**
6 Shown w/ 1X sub-buck
 Outswing shown (Inswing similar)

NOTES:

1. Spacing for item L: 6" from each end and 3 more equally spaced along sidelite jamb (5 total).
2. Spacing for item L @ head & sill: 6" from each end, 1 @ centerline, 2 additional at 3" & 4.5" from end adjacent to door.

Documents Prepared By:
 Lyndon F. Schmidt
 P.E. No. 43409

RW BUILDING CONSULTANTS, INC.
 P.O. Box 230, Valrico, FL 33595
 Phone No.: 813.659.9197
 FBPE Registry No. 9813

PRODUCT: WINCORE FIBERGLASS ENTRY DOOR
PART OR ASSEMBLY: HORIZONTAL & VERTICAL CROSS SECTIONS (1X BUCK)

NO.	DATE	REVISIONS
3	7/06/23	UPDATE TO 8TH ED. (2023) FBC LFS
2	10/14/20	UPDATE TO 7TH ED. (2020) FBC LFS
1	7/14/20	REVISE ULT HURRICANE ASTRAGAL LFS
		BY

DATE: 8/05/19

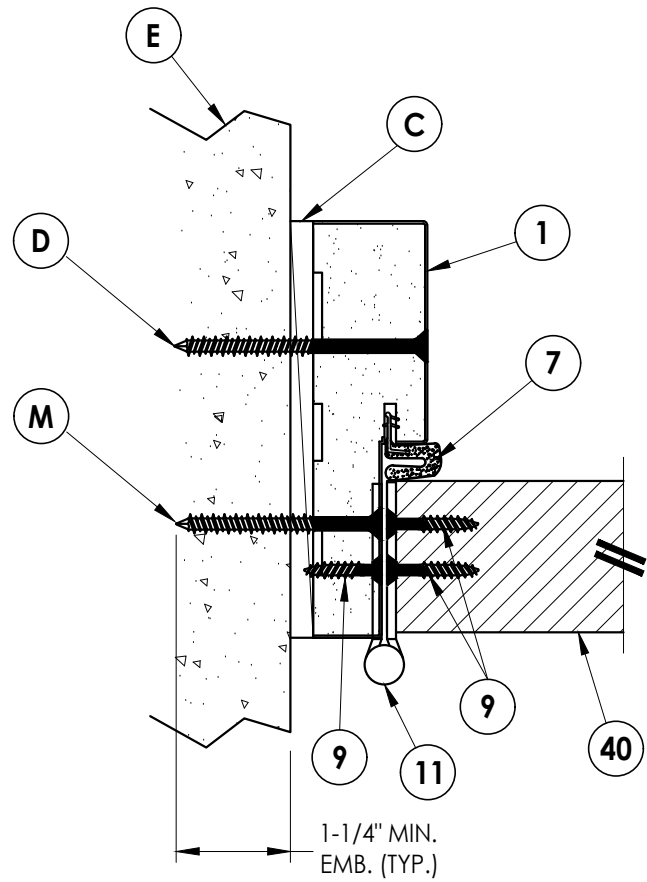
SCALE: N.T.S.

DWG. BY: RW

CHK. BY: LFS

DRAWING NO.:
 FL-30037.2

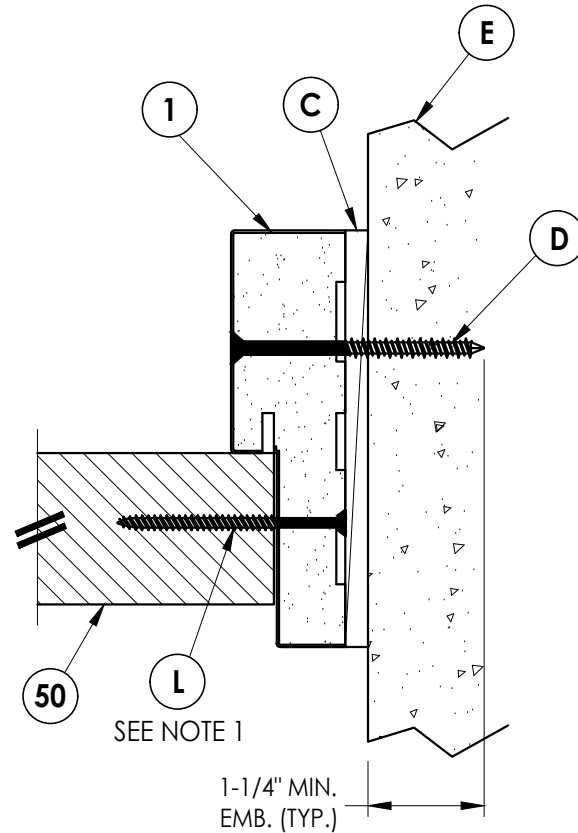
SHEET 6 of 12



1
7 **HORIZONTAL CROSS SECTION**
Shown Direct to Masonry
Outswing shown (Inswing similar)

INTERIOR

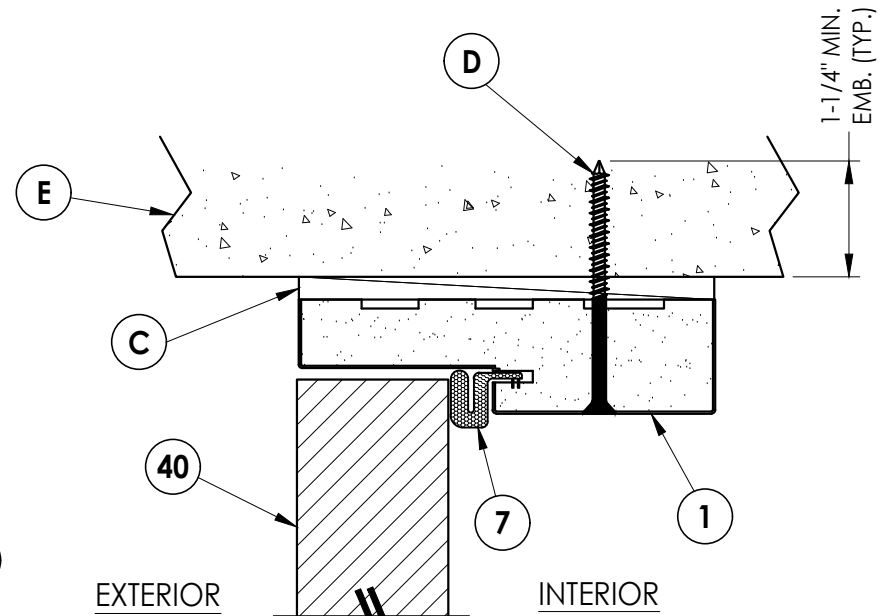
EXTERIOR



2
7 **HORIZONTAL CROSS SECTION**
Shown Direct to Masonry
Outswing shown (Inswing similar)

SEE NOTE 1

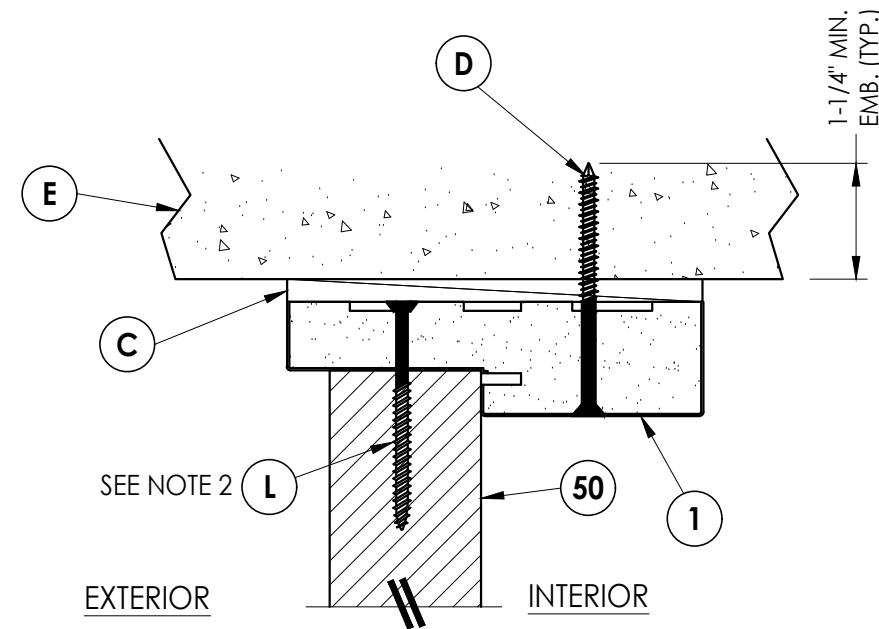
1-1/4" MIN.
EMB. (TYP.)



3
7 **VERTICAL CROSS SECTION**
Shown Direct to Masonry
Outswing shown (Inswing similar)

EXTERIOR

INTERIOR



4
7 **VERTICAL CROSS SECTION**
Shown Direct to Masonry
Outswing shown (Inswing similar)

SEE NOTE 2

1-1/4" MIN.
EMB. (TYP.)

NOTES:

1. Spacing for item L: 6" from each end and 3 more equally spaced along sidelite jamb (5 total).
2. Spacing for item L @ head & sill: 6" from each end, 1 @ centerline, 2 additional at 3" & 4.5" from end adjacent to door.

Documents Prepared By:
Lyndon F. Schmidt
P.E. No. 43409

RW BUILDING CONSULTANTS, INC.
P.O. Box 230, Valrico, FL 33595
Phone No.: 813.659.9197
FBPE Registry No. 9813

PRODUCT: WINCORE
FIBERGLASS ENTRY DOOR
PART OR ASSEMBLY:
HORIZONTAL & VERTICAL CROSS
SECTIONS (DIRECT TO MASONRY)

NO.	DATE	REVISIONS
3	7/06/23	UPDATE TO 8TH ED. (2023) FBC LFS
2	10/14/20	UPDATE TO 7TH ED. (2020) FBC LFS
1	7/14/20	REVISE ULT HURRICANE ASTRAGAL LFS
		BY

DATE: 8/05/19

SCALE: N.T.S.

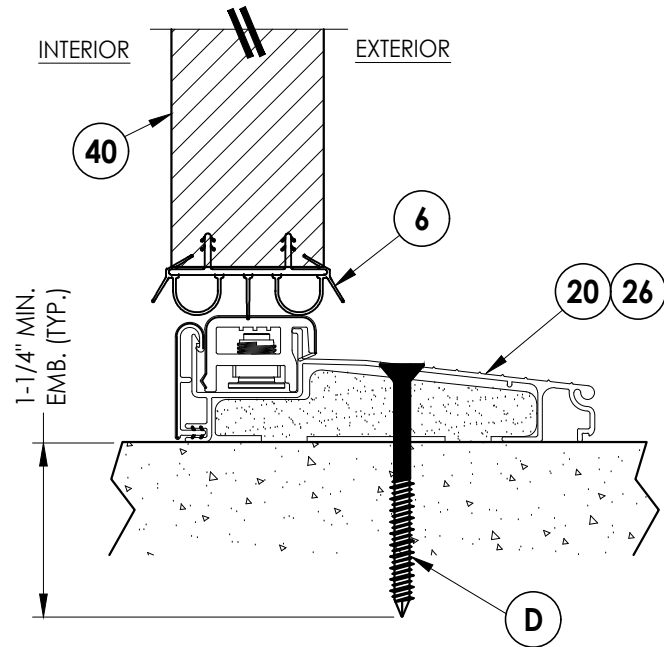
DWG. BY: RW

CHK. BY: LFS

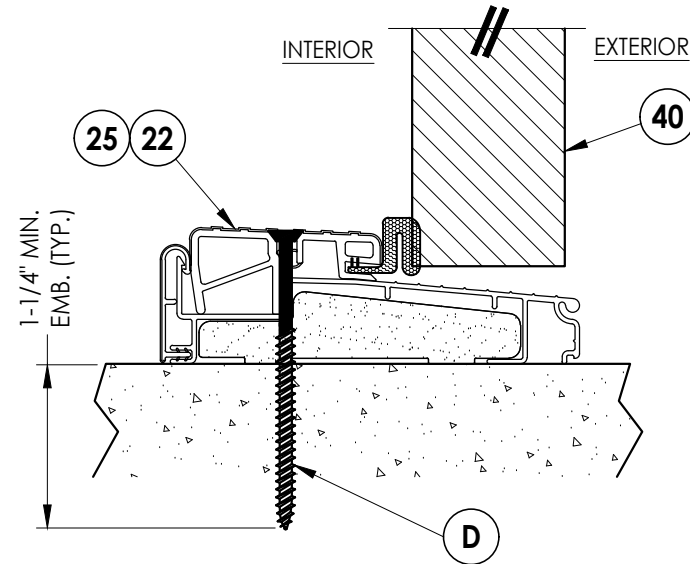
DRAWING NO.:

FL-30037.2

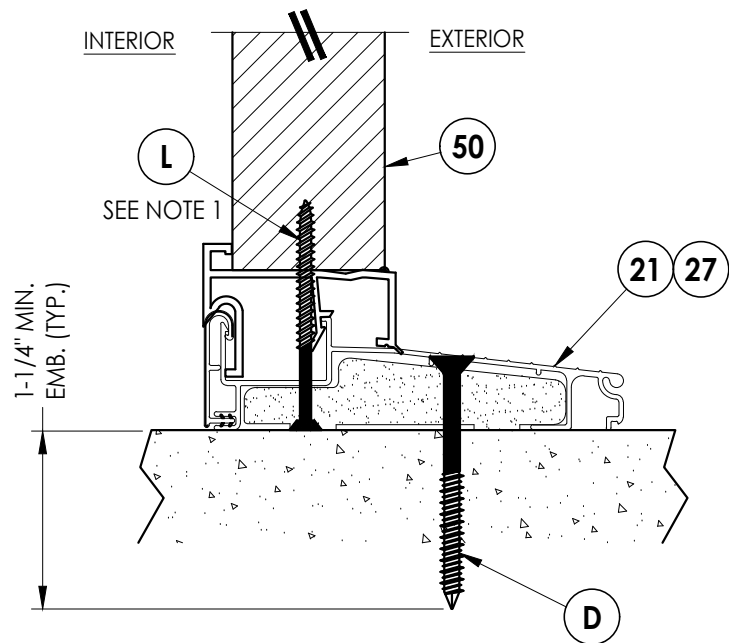
SHEET 7 OF 12



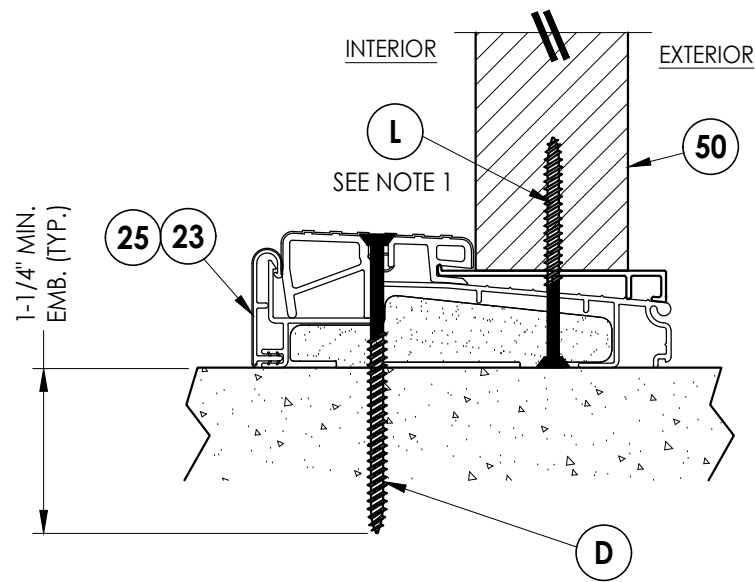
1
8 VERTICAL CROSS SECTION
Inswing sill



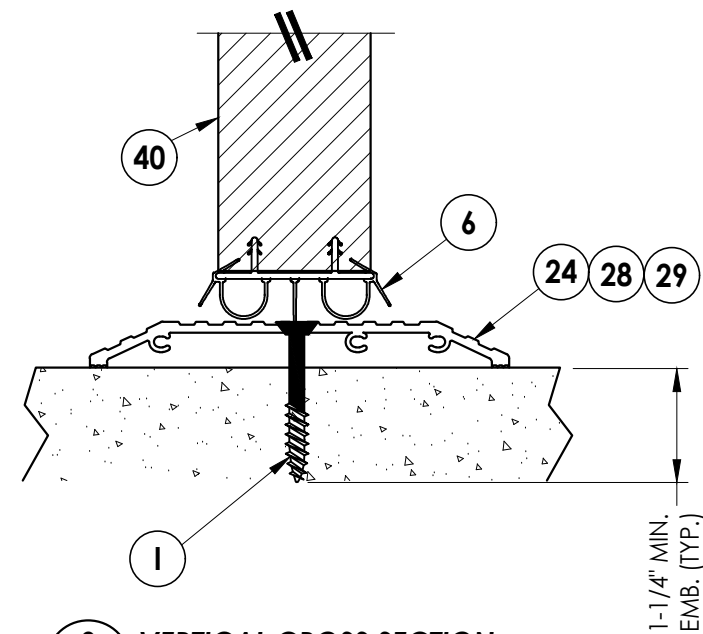
2
8 VERTICAL CROSS SECTION
Outswing sill



4
8 VERTICAL CROSS SECTION
Inswing sill



5
8 VERTICAL CROSS SECTION
Inswing sill



3
8 VERTICAL CROSS SECTION
ADA Sill

NOTE:
1. Spacing for item L @ head & sill: 6" from each end, 1 @ centerline, 2 additional at 3" & 4.5" from end adjacent to door.

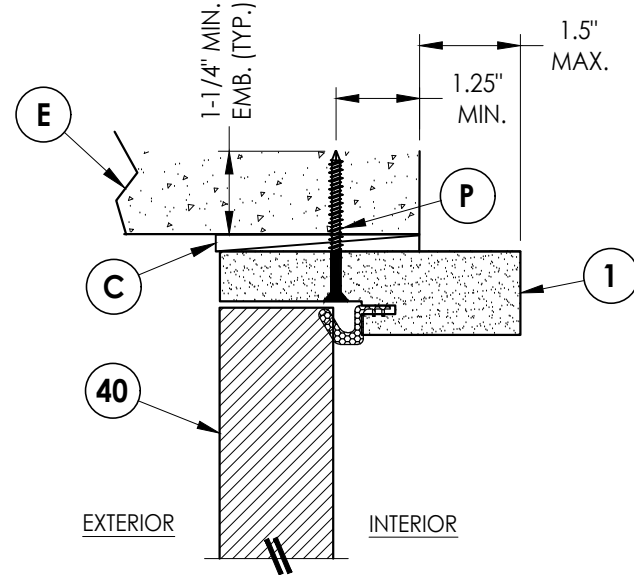
Documents Prepared By:
Lyndon F. Schmidt
P.E. No. 43409

RW BUILDING CONSULTANTS, INC.
P.O. Box 230, Valrico, FL 33595
Phone No.: 813.659.9197
FBPE Registry No. 9813

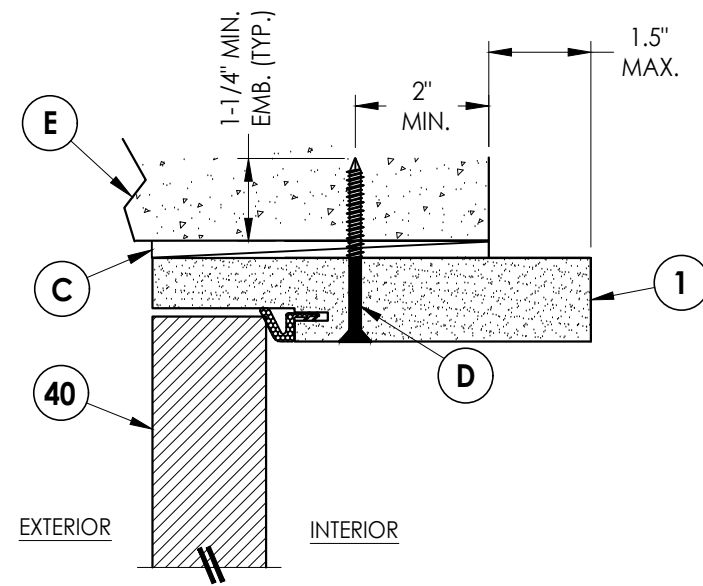
PRODUCT: WINCORE FIBERGLASS ENTRY DOOR
PART OR ASSEMBLY: Impact
VERTICAL CROSS SECTIONS (THRESHOLDS)

NO.	DATE	REVISIONS	BY
3	7/06/23	UPDATE TO 8TH ED. (2023) FBC	LFS
2	10/14/20	UPDATE TO 7TH ED. (2020) FBC	LFS
1	7/14/20	REVISE ULT HURRICANE ASTRAGAL	LFS

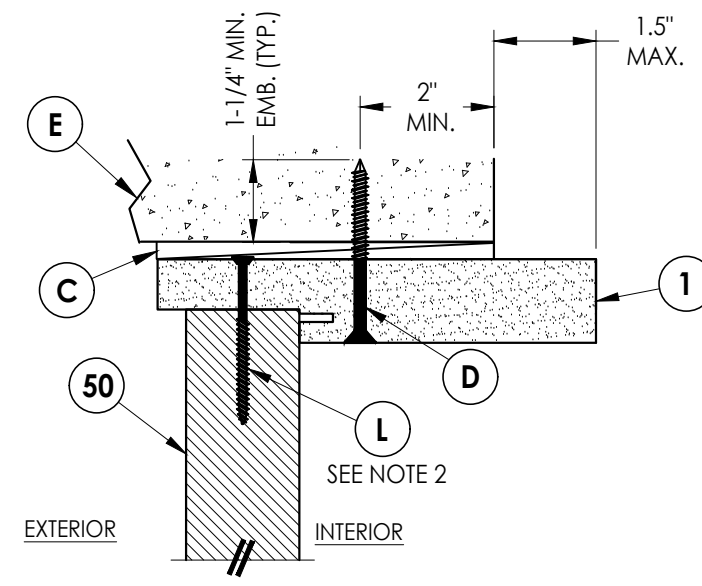
DATE: 8/05/19
SCALE: N.T.S.
DWG. BY: RW
CHK. BY: LFS
DRAWING NO.: FL-30037.2
SHEET 8 OF 12



4 **VERTICAL CROSS SECTION**
9 Shown Direct to Masonry
 Outswing only w/ 4-9/16" jamb
 Double Door Only (N/A w/ Sidelites)

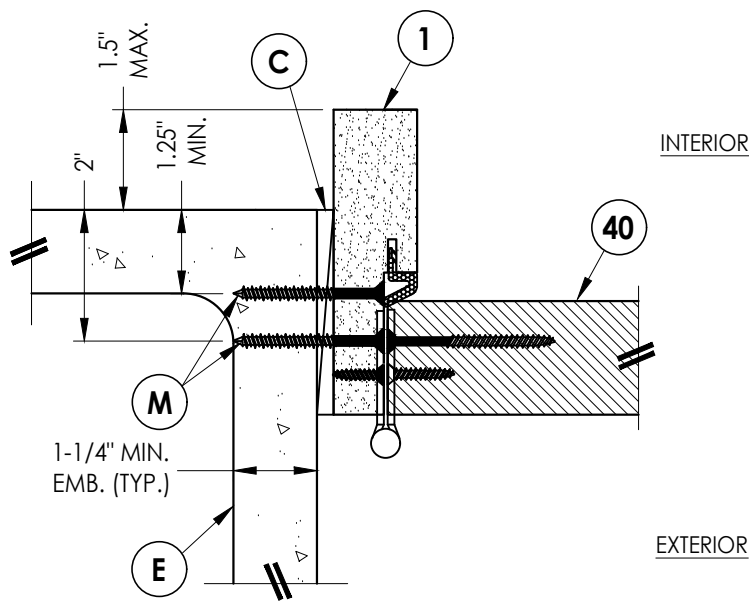


5 **VERTICAL CROSS SECTION**
9 Shown Direct to Masonry
 Outswing only w/ 6-9/16" jamb

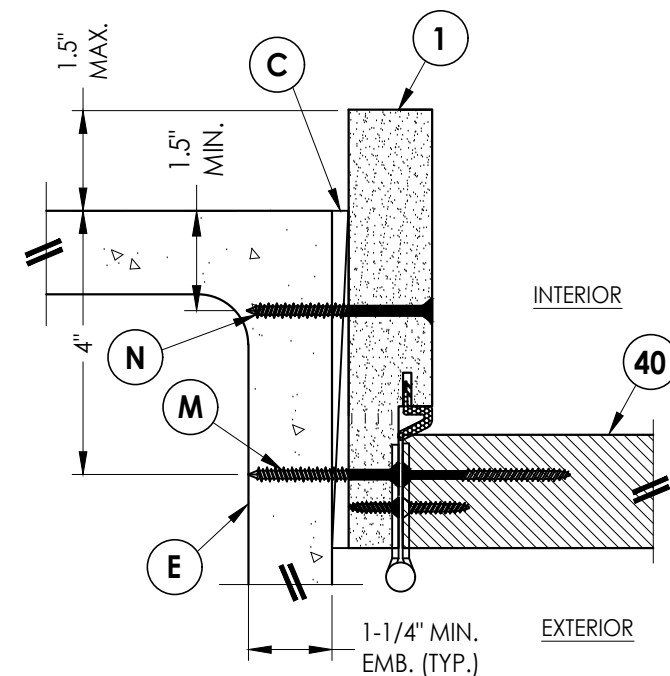


6 **VERTICAL CROSS SECTION**
9 Shown Direct to Masonry
 Outswing only w/ 6-9/16" jamb

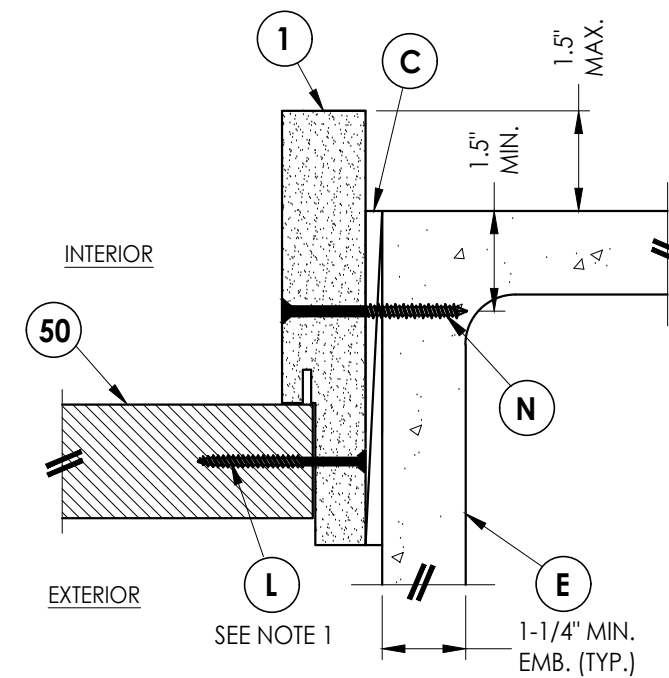
- NOTES:
- Sidelite assembly screws located 6" from top and bottom then 3 more equally spaced (5 total).
 - Spacing for item L: 3" from each end and @ center line (3 total).



1 **HORIZONTAL CROSS SECTION**
9 Shown Direct to Masonry
 Outswing only w/ 4-9/16" jamb
 Double Door Only (N/A w/ Sidelites)



2 **HORIZONTAL CROSS SECTION**
9 Shown Direct to Masonry
 Outswing only w/ 6-9/16" jamb



3 **HORIZONTAL CROSS SECTION**
9 Shown Direct to Masonry
 Outswing only w/ 6-9/16" jamb

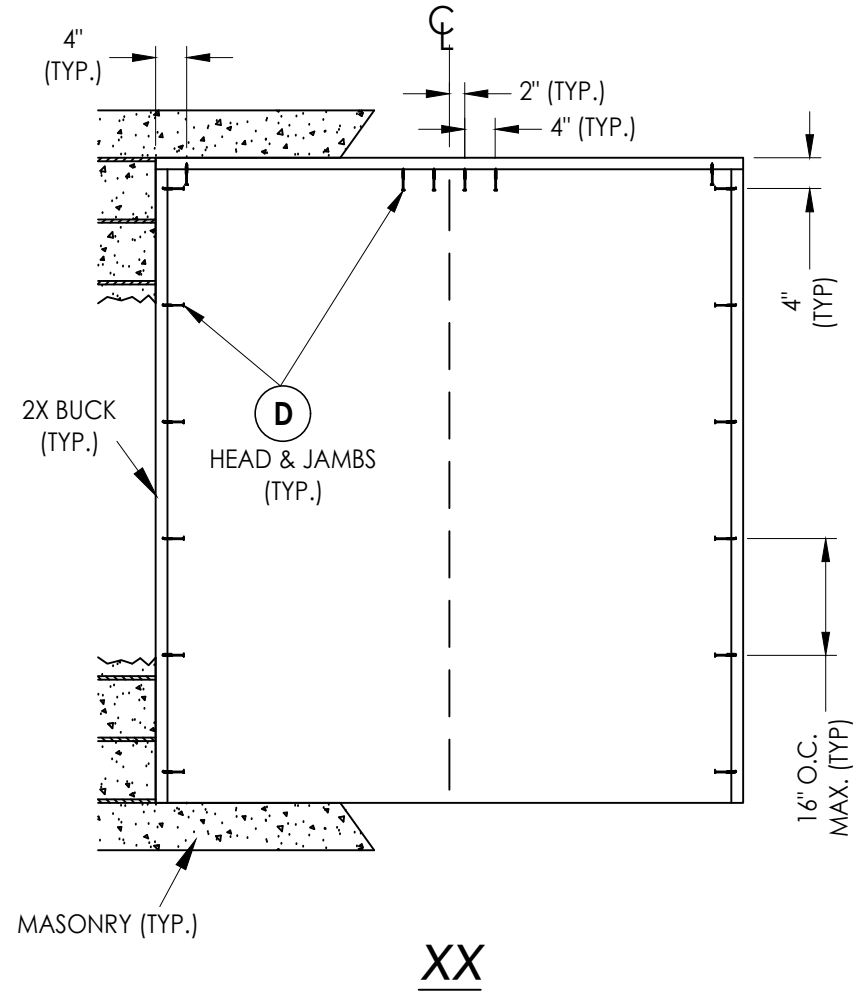
Documents Prepared By:
 Lyndon F. Schmidt
 P.E. No. 43409

RW BUILDING CONSULTANTS, INC.
 P.O. Box 230, Vairico, FL 33595
 Phone No.: 813.659.9197
 FBPE Registry No. 9813

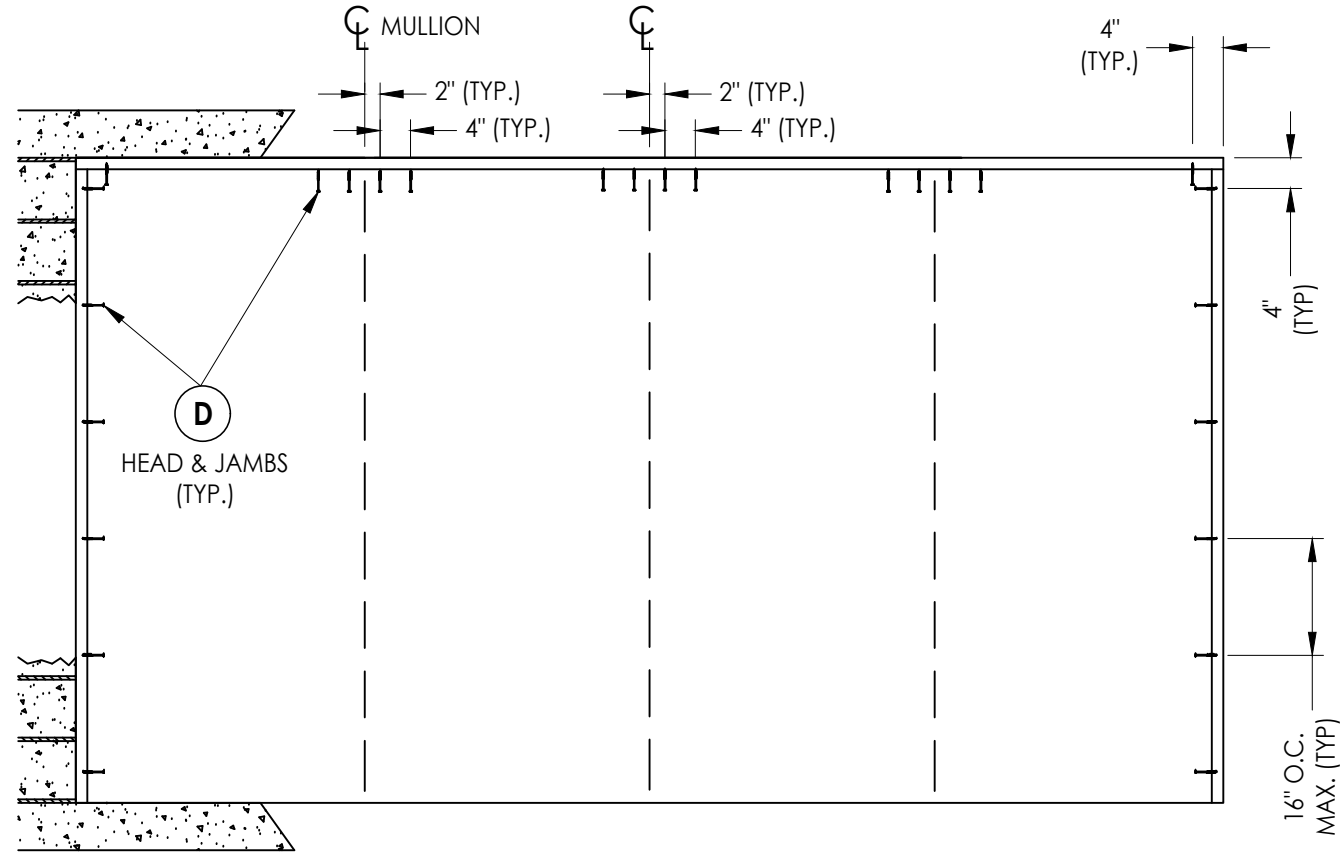
PRODUCT:
 WINCORE
 FIBERGLASS ENTRY DOOR
 "Impact"
 PART OR ASSEMBLY:
 HORIZONTAL & VERTICAL
 SECTIONS (DIRECT TO MASONRY)

NO.	DATE	REVISIONS	BY
3	7/06/23	UPDATE TO 8TH ED. (2023) FBC	LFS
2	10/14/20	UPDATE TO 7TH ED. (2020) FBC	LFS
1	7/14/20	REVISE ULT HURRICANE ASTRAGAL	LFS

DATE: 8/05/19
 SCALE: N.T.S.
 DWG. BY: RW
 CHK. BY: LFS
 DRAWING NO.:
 FL-30037.2
 SHEET 9 OF 12



XX



OXXO (Shown)
XXO, OOX (Similar)

2X BUCK ANCHORING

Documents Prepared By:
Lyndon F. Schmidt
P.E. No. 43409

RW BUILDING CONSULTANTS, INC.
P.O. Box 230, Valrico, FL 33595
Phone No.: 813.659.9197
FBPE Registry No. 9813

PRODUCT: WINCORE FIBERGLASS ENTRY DOOR "Impact"

PART OR ASSEMBLY: BUCK ANCHORING

NO.	DATE	REVISIONS
3	7/06/23	UPDATE TO 8TH ED. (2023) FBC LFS
2	10/14/20	UPDATE TO 7TH ED. (2020) FBC LFS
1	7/14/20	REVISE ULT HURRICANE ASTRAGAL LFS

DATE: 8/05/19

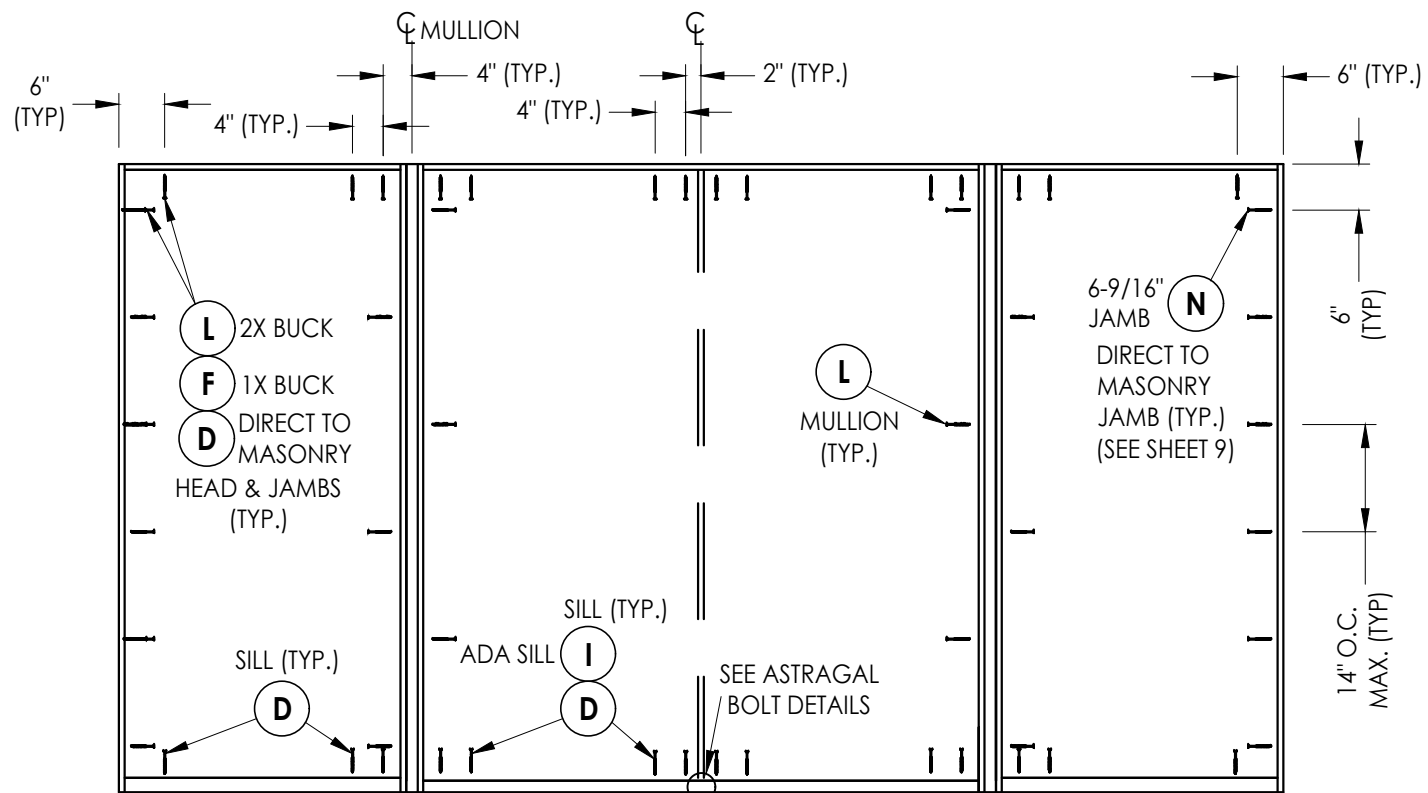
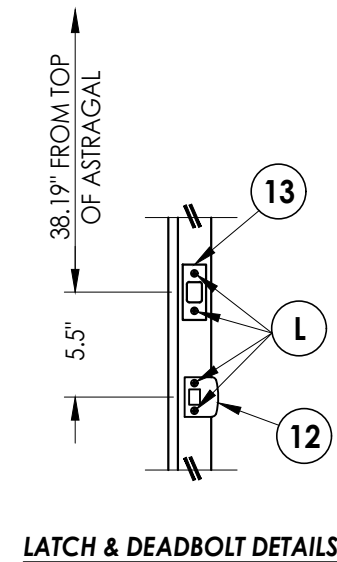
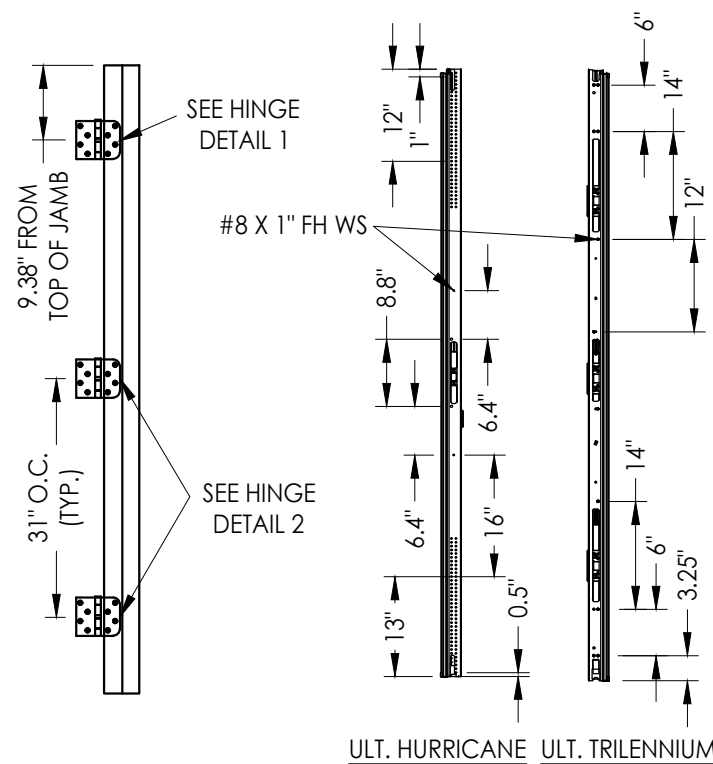
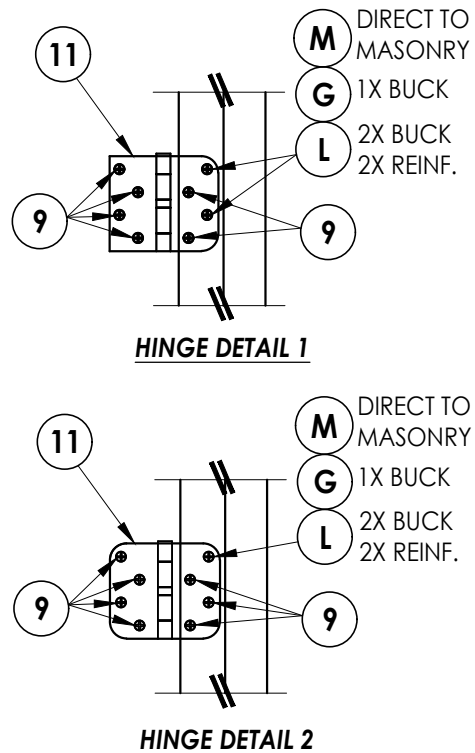
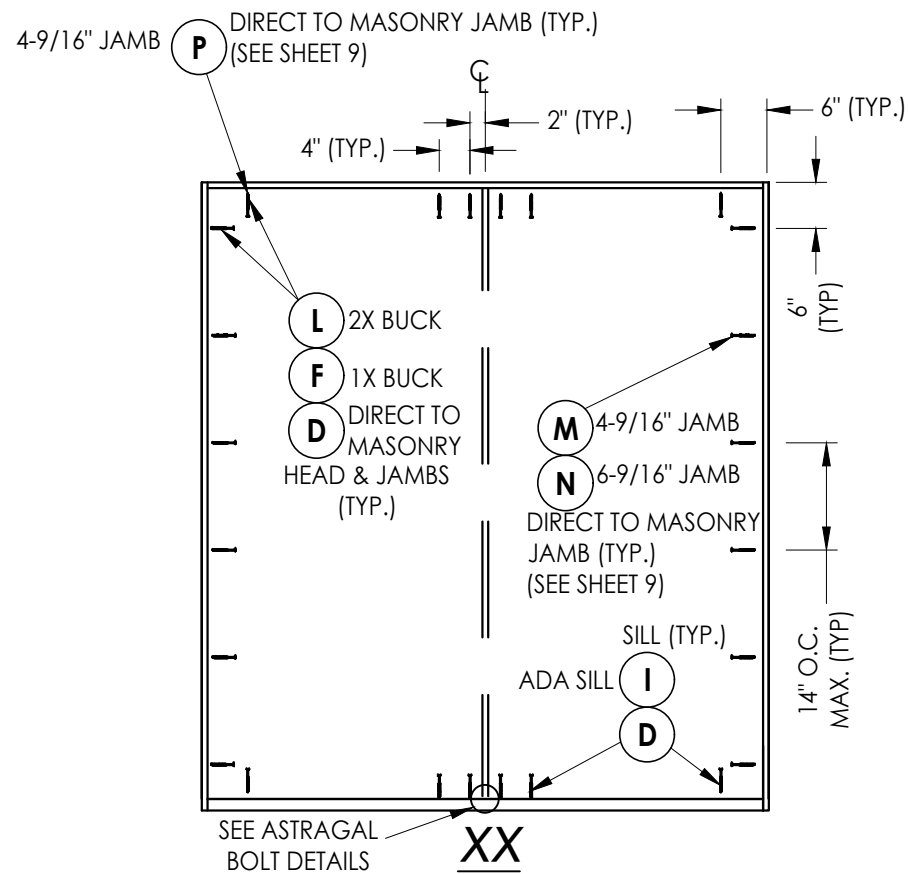
SCALE: N.T.S.

DWG. BY: RW

CHK. BY: LFS

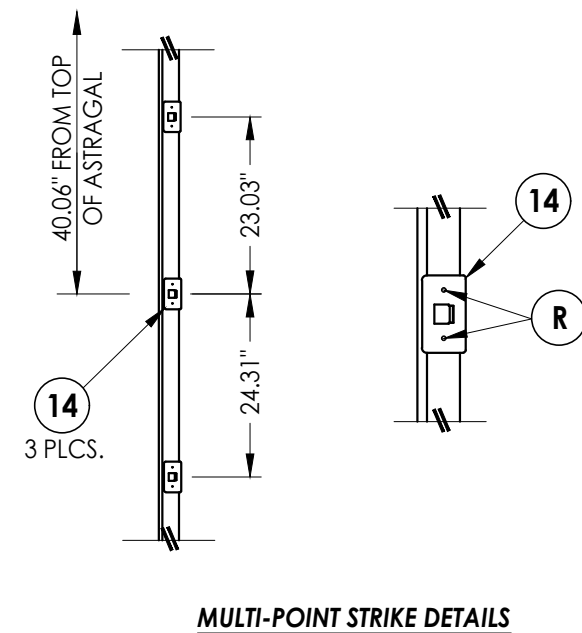
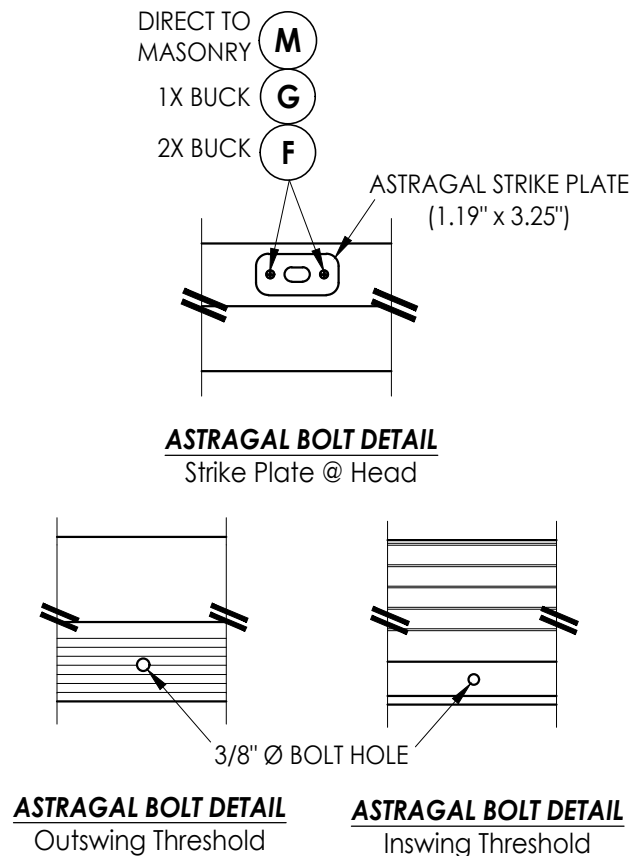
DRAWING NO.: FL-30037.2

SHEET 10 OF 12



XXO, OXX (Similar - Use jamb anchoring from XX above)

FRAME ANCHORING



HARDWARE DETAILS

Documents Prepared By:
Lyndon F. Schmidt
P.E. No. 43409

RW BUILDING CONSULTANTS, INC.
P.O. Box 230, Valrico, FL 33595
Phone No.: 813.659.9197
FBPE Registry No. 9813

PRODUCT: WINCORE FIBERGLASS ENTRY DOOR "Impact"
PART OR ASSEMBLY: FRAME ANCHORING & HARDWARE DETAILS

NO.	DATE	REVISIONS	BY
3	7/06/23	UPDATE TO 8TH ED. (2023) FBC	LFS
2	10/14/20	UPDATE TO 7TH ED. (2020) FBC	LFS
1	7/14/20	REVISE ULT HURRICANE ASTRAGAL	LFS

DATE: 8/05/19

SCALE: N.T.S.

DWG. BY: RW

CHK. BY: LFS

DRAWING NO.:

FL-30037.2

SHEET 11 OF 12

BILL OF MATERIALS

ITEM #	DESCRIPTION	MATERIAL
A	1X BUCK (G >= 0.42)	WOOD
B	2X BUCK (G >= 0.42)	WOOD
C	1/4" MAX. SHIM SPACE	-
D	1/4" PFH CONCRETE SCREW (1-1/4" MIN. EMB.)	STEEL
E	MASONRY - 3,000 PSI MIN. CONCRETE CONFORMING TO ACI 301 OR HOLLOW BLOCK CONFORMING TO ASTM C90	CONCRETE
F	1/4" X 3-3/4" PFH DeWALT OR ITW CONCRETE SCREW	STEEL
G	3/16" x 3-1/4" PFH ITW CONCRETE SCREW	STEEL
I	1/4" X 1-3/4" PFH DeWALT OR ITW CONCRETE SCREW	STEEL
L	#10 X 2-1/2" PFH WOOD SCREW (1.15" MIN. EMB.)	STEEL
M	3/16" X 2-1/4" ITW CONCRETE SCREW	STEEL
N	3/16" X 2-3/4" ITW CONCRETE SCREW	STEEL
P	1/4" X 2-1/4" PFH DeWALT CONCRETE SCREW	STEEL
R	#8 X 2-1/2" PFH WOOD SCREW	STEEL
1	POLY FIBER JAMB	COMP.
5	2X REINFORCEMENT (G >= 0.55)	WOOD
6	DOOR SWEEP	PVC
7	WEATHERSTRIP (ENDURA FORCE 5)	FOAM
8	WEATHERSTRIP (Q-LON)	FOAM
9	#9 X 3/4" PFH WOOD SCREW	STEEL
11	4" X 4" HINGE (SQUARE OR RADIUS)	STEEL
12	LATCH STRIKE PLATE	STEEL
13	DEADBOLT STRIKE PLATE	STEEL
14	TRILENNIUM MULTI-POINT STRIKE PLATE	STEEL
20	INSWING THRESHOLD	ALUM/COMP
21	INSWING THRESHOLD w/ SIDELITE ADAPTER	ALUM/COMP
22	OUTSWING THRESHOLD	ALUM/COMP
23	OUTSWING THRESHOLD w/ SIDELITE ADAPTER	ALUM/COMP
24	ADA THRESHOLD	ALUM
25	OUTSWING THRESHOLD	ALUM/WOOD
26	INSWING THRESHOLD	ALUM/WOOD
27	INSWING THRESHOLD w/ SIDELITE ADAPTER	ALUM/WOOD
28	INSWING ADA THRESHOLD	ALUM
29	OUTSWING ADA THRESHOLD	ALUM
33	ASTRAGAL (ENDURA)	ALUM
40	DOOR PANEL	-
50	SIDELITE PANEL	-

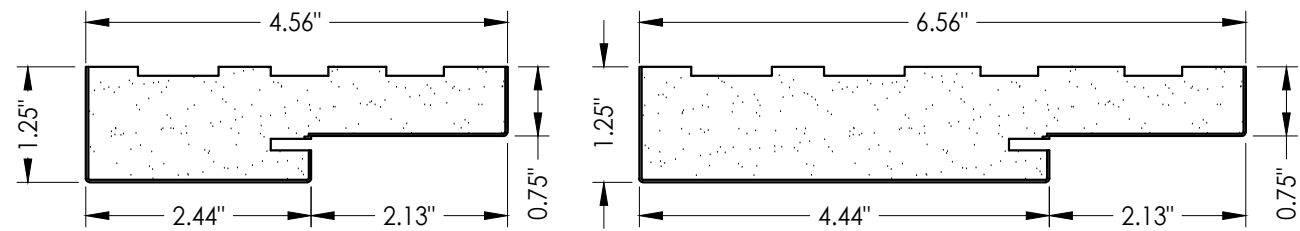
CONCRETE ANCHOR NOTES:

- Concrete anchor locations at the corners may be adjusted to maintain the min. edge distance to mortar joints.
- Concrete anchor locations noted as "MAX. ON CENTER" must be adjusted to maintain the min. edge distance to mortar joints, additional concrete anchors may be required to ensure the "MAX. ON CENTER" dimension are not exceeded.
- Concrete anchor table:

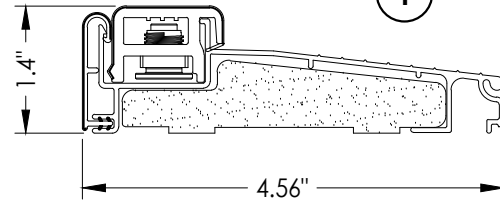
ANCHOR TYPE	ANCHOR SIZE	MIN. EMBEDMENT	MIN. CLEARANCE TO MASONRY EDGE	MIN. CLEARANCE TO ADJACENT ANCHOR
ITW BUILDEX TAPCON®	3/16"	1-1/4"	3"	1-1/2"
	1/4"	1-1/4"	2"	4"
DeWALT ULTRACON®	1/4"	1-1/4"	1"	4"

WOOD SCREW INSTALLATION NOTES:

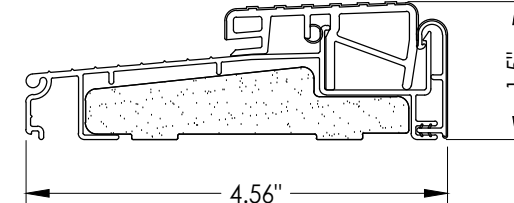
- Maintain a minimum 5/8" edge distance, 1" end distance, & 1" o.c. spacing of wood screws to prevent the splitting of wood.



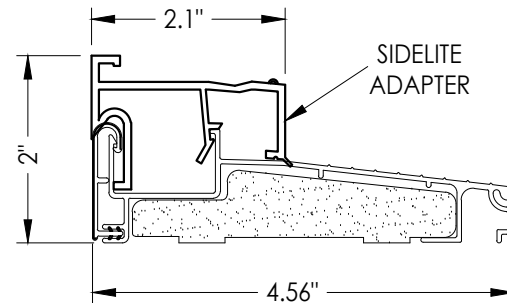
1 POLY FIBER JAMB



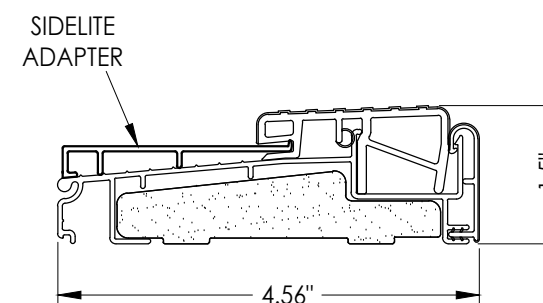
20 INSWING THRESHOLD
Endura (Z-Series)



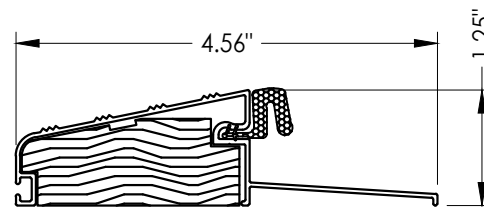
22 OUTSWING THRESHOLD
Endura (Z-Series)



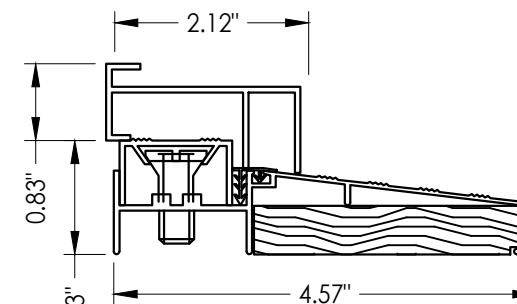
21 INSWING THRESHOLD w/ SIDELITE ADAPTER
Endura (Z-Series)



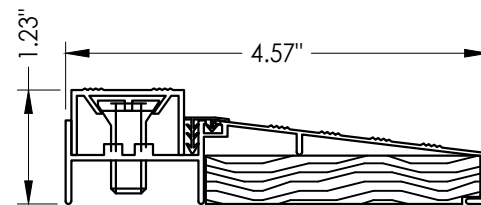
23 OUTSWING THRESHOLD w/ SIDELITE ADAPTER
Endura (Z-Series)



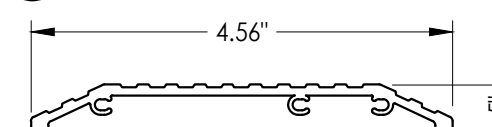
25 OUTSWING THRESHOLD
DLP



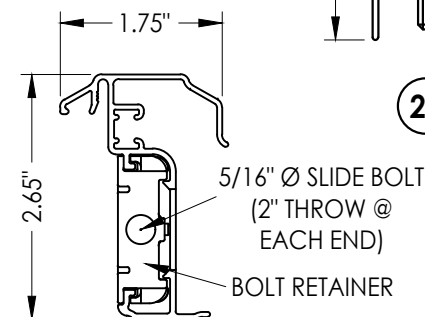
27 INSWING THRESHOLD w/ SIDELITE ADAPTER
DLP



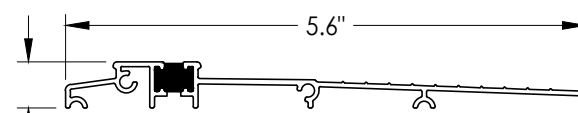
26 INSWING THRESHOLD
DLP



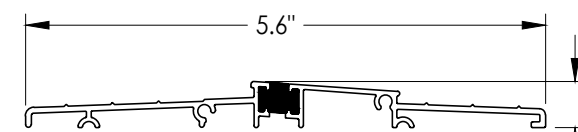
24 ADA THRESHOLD
DLP



33 ENDURA ASTRAGAL
Ultimate Hurricane
Ultimate Trilennium



28 INSWING ADA THRESHOLD
Endura (Z-Series)



29 OUTSWING ADA THRESHOLD
Endura (Z-Series)

Documents Prepared By:
Lyndon F. Schmidt
P.E. No. 43409

RW BUILDING CONSULTANTS, INC.
P.O. Box 230, Valrico, FL 33595
Phone No.: 813.659.9197
FBPE Registry No. 9813

PRODUCT: WINCORE ENTRY DOOR
FIBERGLASS "Impact"

PART OR ASSEMBLY:
BILL OF MATERIALS
& COMPONENTS

NO.	DATE	REVISIONS
3	7/06/23	UPDATE TO 8TH ED. (2023) FBC LFS
2	10/14/20	UPDATE TO 7TH ED. (2020) FBC LFS
1	7/14/20	REVISE ULT HURRICANE ASTRAGAL LFS
		BY

DATE: 8/05/19
SCALE: N.T.S.
DWG. BY: RW
CHK. BY: LFS
DRAWING NO.: FL-30037.2
SHEET 12 OF 12